

# Cord Draw Components



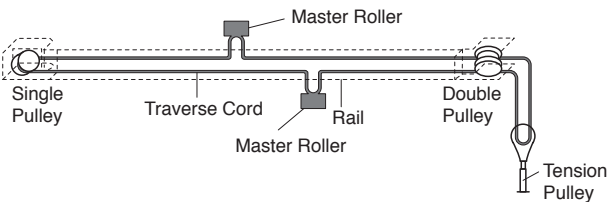
- Rails can be selected to match curtain weight and size.
- All rails use wheel-type rollers for smooth operation.
- Parts are available for curved, skylight and overlap rails as well as straight rails.

# Cord Draw Components

## Unique Features and Applications

### Traverse Cord mechanism

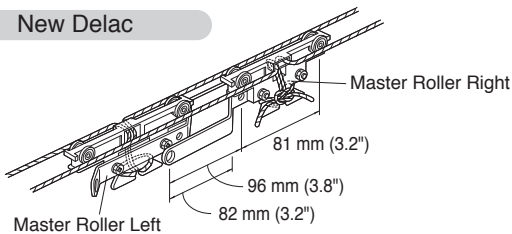
Secure a Master Roller to Traverse Cord. As indicated in the figure, when the draw cord is pulled, the Master Roller pulls the curtain open.



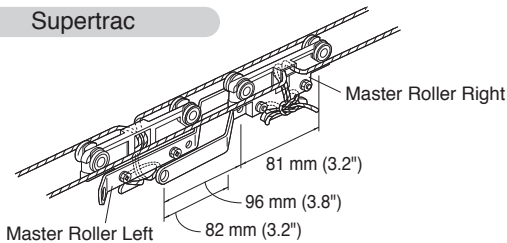
### Master Roller used to overlap curtains

Dimensions of overlapping part

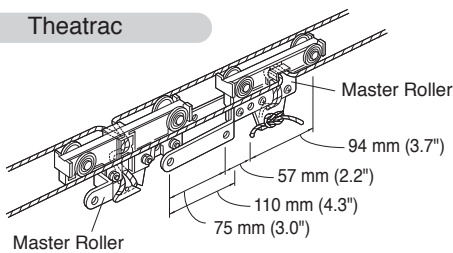
#### New Delac



#### Supertrac



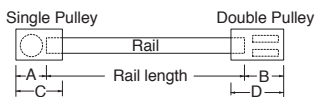
#### Theatrac



\*When a deeper overlap is required, overlap the rails.

### Pay attention to rail length

\*When installing a cord draw rail, the overall length is the length of the rail plus single pulley and double pulley (A + B) dimensions.



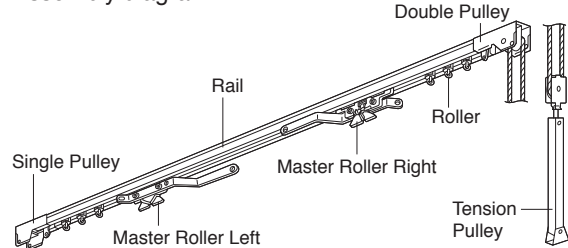
• Traverse Cord length  
Cut to the length equivalent to  
(Total rail length x 2) +  
(Installation height x 2)  
500 mm/20".

Products	A	B	C	D
New Delac	40 mm (1.6")	40 mm (1.6")	60 mm (2.4")	60 mm (2.4")
New Delac Skylight AB Pulley	44 mm (1.7")	44 mm (1.7")	68 mm (2.7")	68 mm (2.7")
Supertrac	63 mm (2.5")	63 mm (2.5")	92 mm (3.6")	92 mm (3.6")
Supertrac Cording for Curved	63 mm (2.5")	63 mm (2.5")	92 mm (3.6")	92 mm (3.6")
Supertrac Skylight AB Pulley	74 mm (2.9")	74 mm (2.9")	100 mm (3.9")	100 mm (3.9")
Theatracs	—	42 mm (1.7")	—	83 mm (3.3")
Super Selfie Cord Draw	31 mm (1.2")	31 mm (1.2")	53 mm (2.0")	53 mm (2.0")

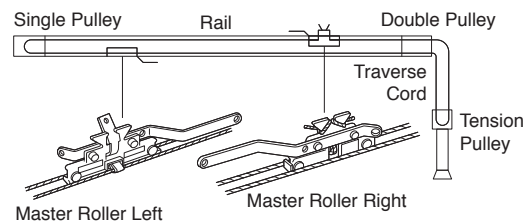
\* The Theatracs uses an inner type single pulley.

### Assembling a Cord Draw rail (for opening curtains on both sides)

#### Assembly diagram

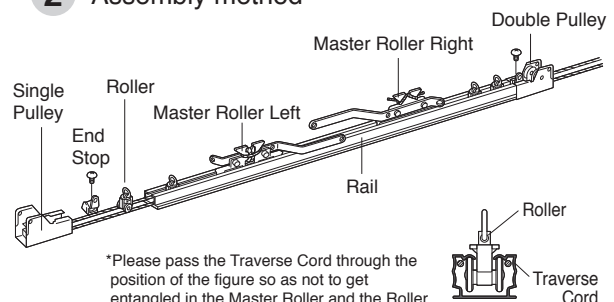


#### 1 Threading the Traverse Cord



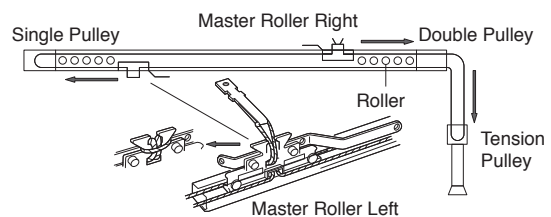
1. Thread the cord as indicated in the figure.
2. Thread the cord through the cord band of the Master Roller Left.
3. Thread the cord through single and double pulleys as indicated in the figure.
4. Tie the Traverse Cord at the right Master Roller.

#### 2 Assembly method



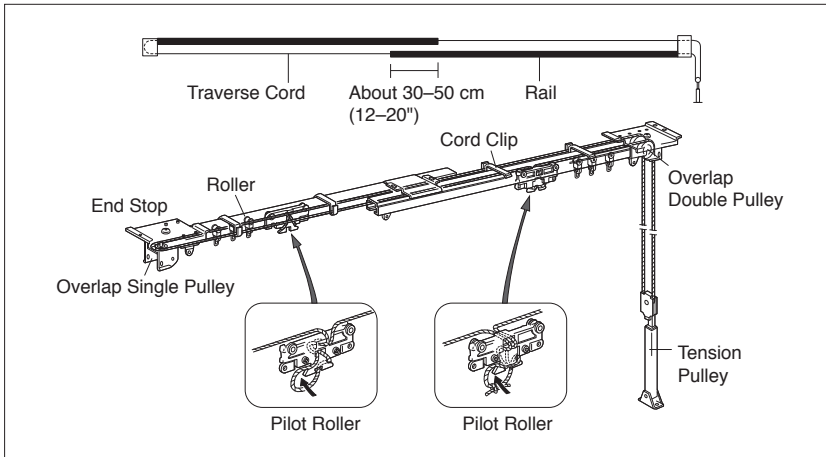
1. Insert Rollers in the rail.
2. Secure single and double pulleys at each end with end stops.

#### 3 Slack adjustment



1. Pull the Traverse Cord, and move Master Rollers toward each end.
2. Pull the left cord band of the Master Roller using the pliers, and hook the Traverse Cord as indicated in the figure.

## Overlap rail mechanism

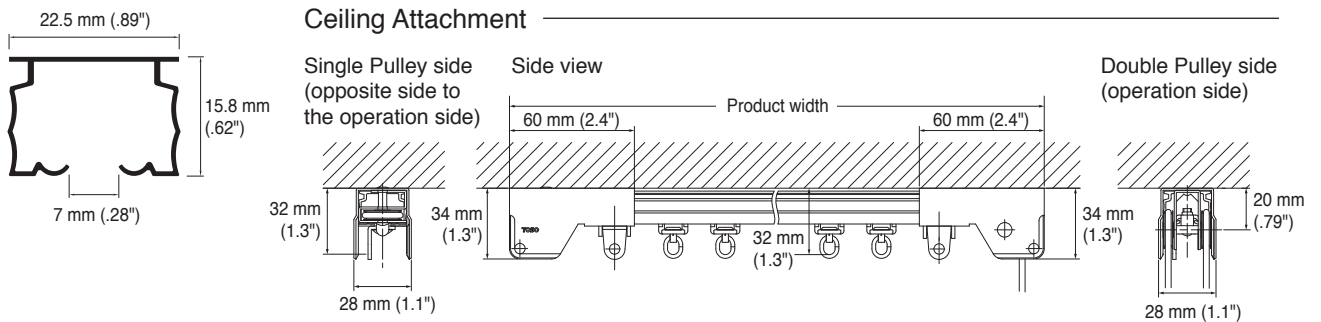


## Cord Specifications for Different Rails

Products	Straight (Two-way Draw, One-way Draw)	Overlap Rail	Curve	Skylight
New Delac	○	○	—	○
Supertrac	○	○	○	○
Theatrac	○	○	—	—
CM2000 *	○	—	—	—
Super Selfie Cord Draw *	○	—	○	—

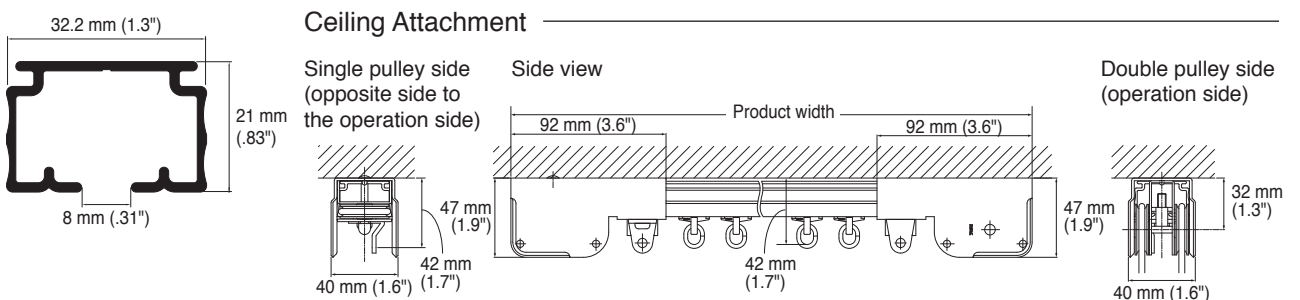
\*Refer to the each catalog.

## New Delac Rail Cross Section and Installation Dimensions



\*Allowable curtain weight for single side opening is 10 kg/22 lb (an extra 10 kg/22 lb for double side opening).  
When using brackets, leave space at intervals of 10 cm/3.9" or less at either end and 50 cm/20" or less in the middle.  
(When attaching to the wall, use single brackets only.)

## Supertrac Rail Cross Section and Installation Dimensions

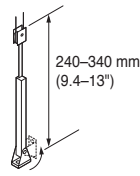


\*Allowable curtain weight for single side opening is 30 kg/66 lb (an extra 30 kg/66 lb for double side opening).  
When using brackets, leave space at intervals of 15 cm/5.9" or less at either end and 50 cm/20" or less in the middle.  
(When attaching to the wall, use single brackets only.)

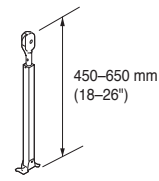
# Cord Draw Components

## Tension Pulley

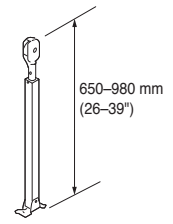
To keep the Traverse Cord from becoming tangled with Rollers, Tension Pulley gives enough tension to the cord. There are three types available. Installation on the floor or the wall is possible.



Tension Pulley 240



Tension Pulley 450



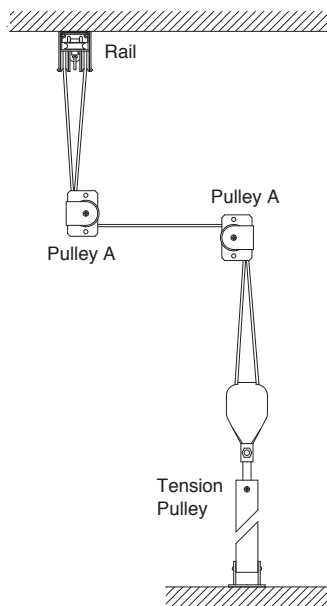
Tension Pulley 650

## Support Pulleys

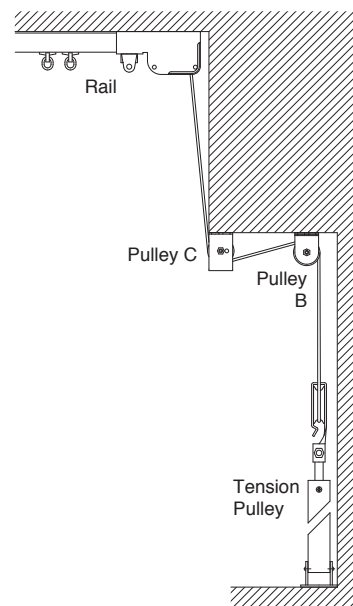
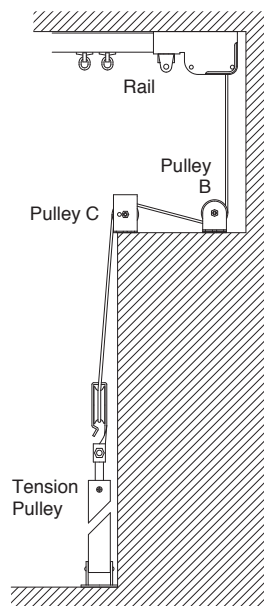
Support pulleys can be used for guiding Traverse Cords to avoid obstructions, or to change the operating location of stage curtains or skylights.

### Application Example

#### For Lateral Direction Use

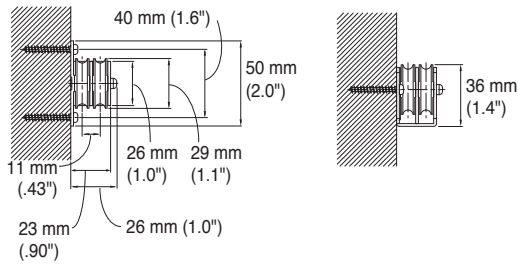


#### For Internal and External Corners

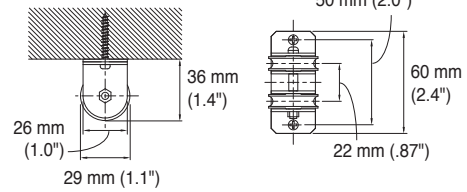


## Installation Dimensions (Support Pulley)

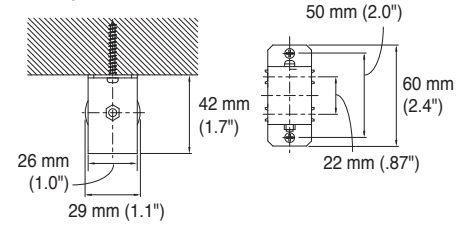
For Lateral Direction Use  
Pulley A



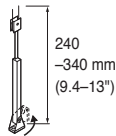
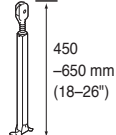
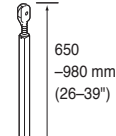
For Internal Corner  
Pulley B

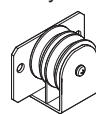
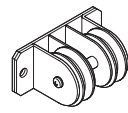
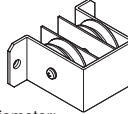


For External Corner  
Pulley C



## Cord Draw Parts (Tension Pulley, Traverse Cord and Support Pulley)

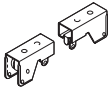
Product Name	Product Code
Tension Pulley 240 	White 00500005
	Brown 00500002
Tension Pulley 450 	Silver 00500007
Tension Pulley 650 	Silver 00500008
Traverse Cord 2.8 mm DIA. (for New Delac) (*1)	White 00580009
Traverse Cord 3.5 mm DIA. (for Supertrac) (*1)	White 00580010
Traverse Cord 4.5 mm DIA. (for Theatrac) (*1)	White 00580011

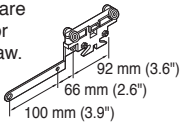
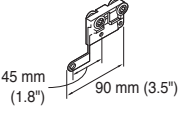
Product Name	Product Code
Support Pulley A 	Silver 00500009
*Pulley diameter: 26 mm (1.0") grooved pulley (*2)	
Support Pulley B 	Silver 00500010
*Pulley diameter: 26 mm (1.0") grooved pulley (*2)	
Support Pulley C 	Silver 00500011
*Pulley diameter: 26 mm (1.0") grooved pulley (*2)	

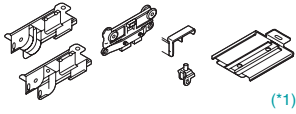
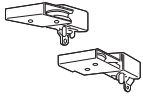
\*2 Materials and Finishes:  
 Cover part=Coated steel  
 Pulley part=Polyacetal resin  
 Applicable cord diameter: Up to 5 mm (.20")

\*1 Material: 100% polyester

Cord Draw Parts (New Delac)

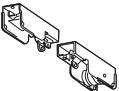
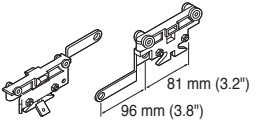
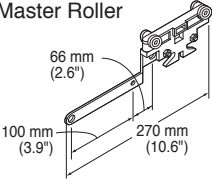
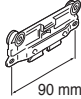
Product Name	Product Code	
	Silver	00210002
	Umber	00210081
	White	00210333
	Warm white	00210159
Master Roller Right & Left	00210262	

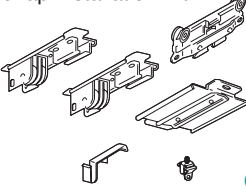
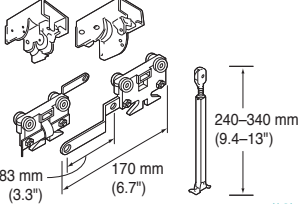
Product Name	Product Code
<b>Long Master Roller</b> Two Rollers are necessary for Two-way Draw. 	00210264
<b>One-way Master Roller</b> 	00210001

Product Name	Product Code
<b>Overlap Cord Draw Parts Kit</b> 	00210225
<b>Skylight AB Pulley</b> 	00210354

\*1 Contents of Kit: Overlap Pulley Set (1 set), Pilot Roller (2pcs), Overlap Bracket (1 pc), Intermediate Stop (4 pcs), Cord Clip (10 pcs)

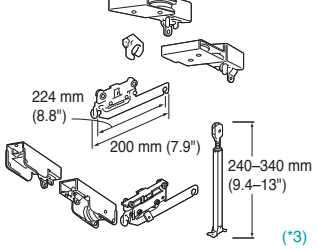


Cord Draw Parts (Supertrac)

Product Name	Product Code	
	Silver	00240005
	White	00240075
Master Roller Right & Left	00240042	
		
<b>Long Master Roller</b> 	00240045	
<b>Pilot Roller</b> 	00240060	

Product Name	Product Code
<b>Overlap Installation Kit</b> 	00240034
<b>Cord Draw Parts Kit for Curved Rail</b> 	00240043

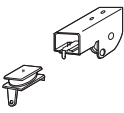
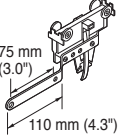
\*1 Contents of Kit: Overlap Pulley (1 pair), Pilot Roller (2pcs), End Stop (4 pcs), Overlap Bracket (1 pc), Cord Clip (10 pcs)

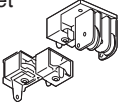
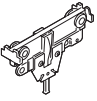
\*2 Contents of Kit: Curved Pulley (1 pair), Curved Master Roller (1 pair), Tension Pulley 240 (1 pc)

Product Name	Product Code
<b>Cord Draw Parts Kit for Skylight</b> 	00240044
<b>Skylight Pipe Roller</b> 	00240037
<b>Skylight Pipe Clip</b> 	00240046

\*3 Contents of Kit: Skylight AB Pulley (1 pair), Skylight Master Roller AB (1 pair), Tension Pulley 240 (1 pc), Pulley Set (1 set), Pipe Hook (2 pcs)

Cord Draw Parts (Theatrac)

Product Name	Product Code
<b>Pulley Set</b> 	00250009
<b>Master Roller</b> Two Rollers are necessary for Two-way Draw. 	00250001

Product Name	Product Code
<b>Overlap Pulley Set</b> 	00250008
<b>Pilot Roller</b> 	00250010