

TOSO

Motorized Roman Shade

Super Liberta



This product is originally designed for the Japanese market.
For more details, please contact our local agent.

Super Liberta

Super Liberta's Unique Features

Super Liberta guarantees a perfect solution for a large window.

Curved windows are available by using Universal Joint.

Its synchronous motors allow different sizes of roman shades to go up and down at the same speed.

With joints, one single big motorized roman shade is possible: up to 10 m (394") in width and to 9 m (354") in height.

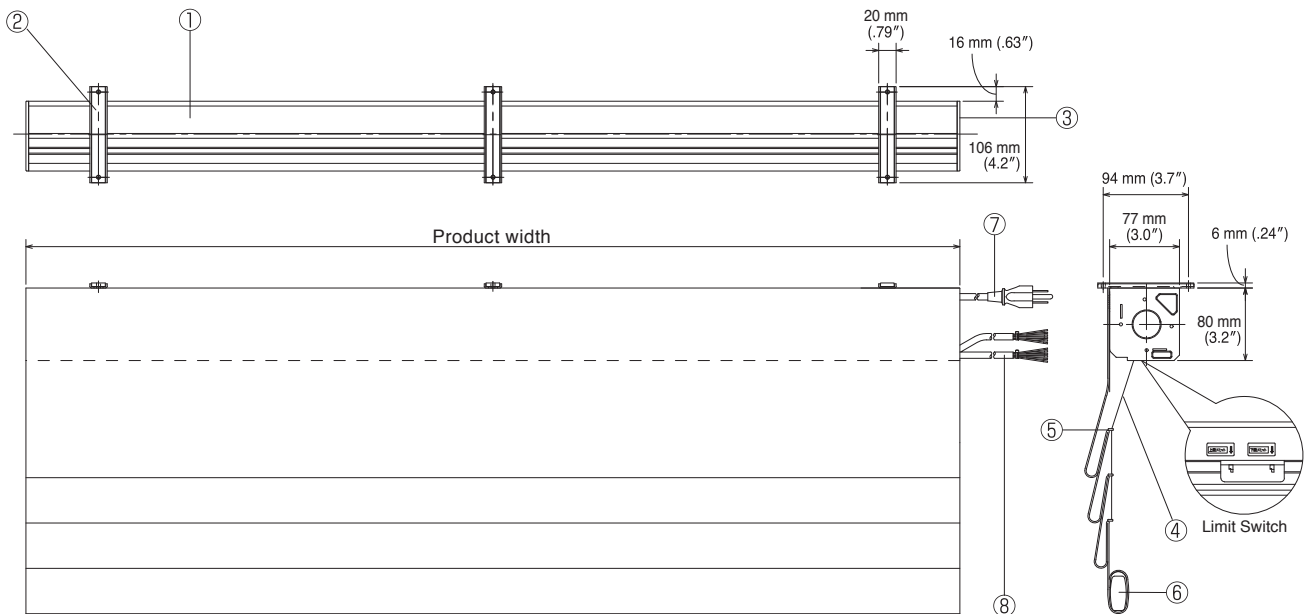
Maximum weight up to 15 kg (33 lb).

Neat appearance:

A motor, a controller and other parts do not come into view because all of them are put inside the head rail.



Structure Drawing



| No. | Product Name | Materials/Specifications | Color |
|-----|-----------------|--|--------|
| ① | Head Rail | Aluminum | White |
| ② | Bracket | Steel | Silver |
| ③ | Side Cover | Molded resin | White |
| ④ | Lift Tape | Chemical fiber | White |
| ⑤ | RS Tape Ring N | Molded resin | Clear |
| ⑥ | Weight Bar | Steel (within 4000 mm/158") | White |
| ⑦ | Power Supply | VCTF 0.75 ⁵ × 3C (1 m/39") | White |
| ⑧ | Connecting Cord | AWG 24 × 6C (0.3 m/12") with connector | White |

Motor Specifications

| | | | |
|-----------------------------|-----------|-------|-----------------------------|
| Power Source Voltage | | V | AC100 * |
| Frequency | | Hz | 50/60 |
| Current | Operation | A | 0.66 |
| | Standby | A | 0.05 |
| Power Consumption | Operation | W | 66 |
| | Standby | W | 5 |
| Operating Voltage | | V | DC12 |
| Operating Consumption | | mA | 7 |
| Operating Temperature Range | | °C | 0–50 (without condensation) |
| Rated RPM | | rpm | 40±15% |
| Operating Time | | sec/m | 10–15 |
| Rated Running Time | | min. | 5 |

* AC100 V only. Please contact our local agent about the plug.

Allowable Size

| Style | Product Width | Product Height |
|-------------------|-------------------------|------------------------|
| Plain | 1000–10000 mm (39–394") | 1000–9000 mm (39–354") |
| Sharp (with Rods) | 1000–8400 mm (39–331") | 1000–6000 mm (39–236") |
| Balloon | 1000–10000 mm (39–394") | 1000–6000 mm (39–236") |
| Austrian | 1000–7300 mm (39–287") | 1000–5000 mm (39–197") |

Notes: Widths greater than 4010 mm (158") require the use of joints.
Some width and height combinations may not be available.
The maximum area is 40 m² (48 yd²).

Maximum Screen Weight

15.0 kg (33 lb)

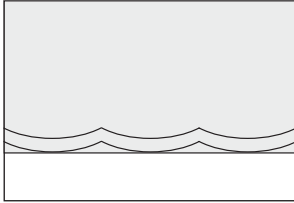
*Even if the desired dimensions are available, excess weight may make it impossible to provide the desired shade.

Product Weight

3.2 kg (7.1 lb)
(width: 2000 mm/79" without screen)

Style Lineup

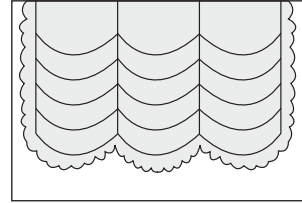
Plain Style



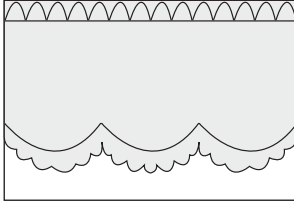
Sharp Style (with Rods)



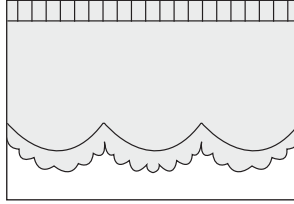
Austrian Style



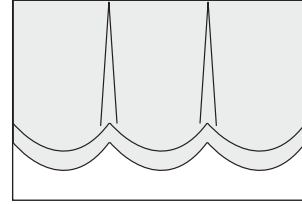
Balloon Style (pleated)



Balloon Style (gathered)



Balloon Style (box)



Note: The Plain, Sharp (with Rods), and Balloon styles hang flat when lowered.

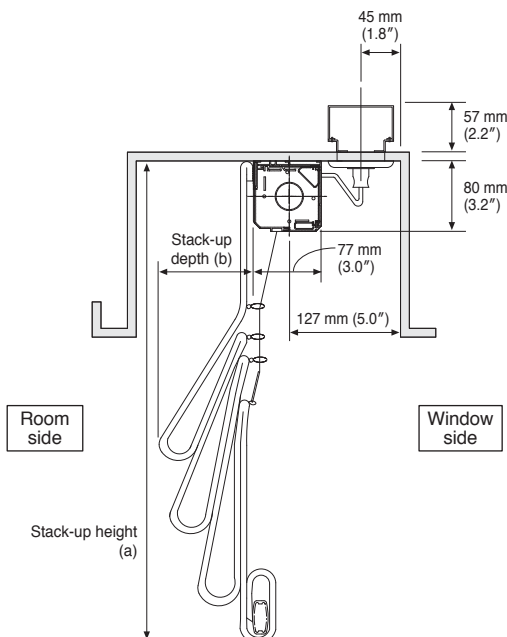
Calculation of Total Weight

Product Weight = ① Unit Weight + ② Screen Weight

| ① Unit Weight | | $1.12 + 0.99 \times W / 1000 \text{ mm} + (N \times 0.02)$ | | $1.12 + 0.99 \times W / 39'' + (N \times 0.02)$ |
|-----------------|-------------------|--|---|--|
| ② Screen Weight | Plain | a. Fabric weight | Fabric weight (kg/m ²) × W / 1000 mm × H / 1000 mm | Fabric weight (kg/m ²) × W / 39'' × H / 39'' |
| | | b. Parts weight | $(0.28 \times W / 1000 \text{ mm}) + (0.04 \times W / 1000 \text{ mm} \times H / 1000 \text{ mm})$ | $(0.28 \times W / 39'') + (0.04 \times W / 39'' \times H / 39'')$ |
| | Sharp (with Rods) | a. Fabric weight | Fabric weight (kg/m ²) × W / 1000 mm × H / 1000 mm | Fabric weight (kg/m ²) × W / 39'' × H / 39'' |
| | | b. Parts weight | $(0.28 \times W / 1000 \text{ mm}) + (0.23 \times W / 1000 \text{ mm} \times H / 1000 \text{ mm})$ | $(0.28 \times W / 39'') + (0.23 \times W / 39'' \times H / 39'')$ |
| | Balloon | a. Fabric weight | Fabric weight (kg/m ²) × (W / 1000 mm × H / 1000 mm) × 2 | Fabric weight (kg/m ²) × (W / 39'' × H / 39'') × 2 |
| | | b. Parts weight | $(0.09 \times W / 1000 \text{ mm}) + (0.04 \times W / 1000 \text{ mm} \times H / 1000 \text{ mm}) + 0.16$ | $(0.09 \times W / 39'') + (0.04 \times W / 39'' \times H / 39'') + 0.16$ |
| | Austrian | a. Fabric weight | Fabric weight (kg/m ²) × (W / 1000 mm × H / 1000 mm) × 3.75 | Fabric weight (kg/m ²) × (W / 39'' × H / 39'') × 3.75 |
| | | b. Parts weight | $(0.12 \times W / 1000 \text{ mm}) + (0.04 \times W / 1000 \text{ mm} \times H / 1000 \text{ mm}) + 0.16$ | $(0.12 \times W / 39'') + (0.04 \times W / 39'' \times H / 39'') + 0.16$ |

W: Product width, H: Product height, N: Number of Lift Tape

Stack-up Guide



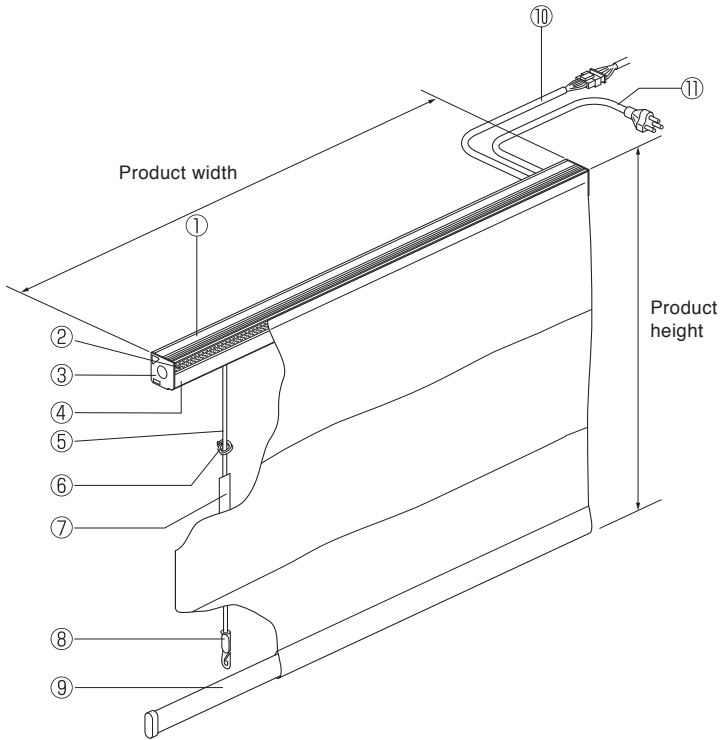
| Style | Recommended Ring Interval | Stack-up Height Dimension (a) | Stack-up Depth Dimension (b) |
|-------------------|---------------------------|----------------------------------|------------------------------|
| Plain | 200 mm (7.9'') | 220 mm (8.7'') + H/80 mm (3.2'') | 80 mm (3.2'') |
| | 300 mm (12'') | 270 mm (11'') + H/120 mm (4.7'') | |
| Sharp (with Rods) | 120 mm (4.7'') | 240 mm (9.4'') + H/24 mm (.94'') | 100 mm (3.9'') |
| | 150 mm (5.9'') | 270 mm (11'') + H/30 mm (1.2'') | |
| | 300 mm (12'') | 420 mm (17'') + H/60 mm (2.4'') | |
| Balloon | — | 590 mm (23'') + H/60 mm (2.4'') | 200 mm (7.9'') |
| Austrian | — | 390 mm (15'') + H/60 mm (2.4'') | 250 mm (9.8'') |

*H: Product length

Note: Stack-up differs depending on the fabric used.

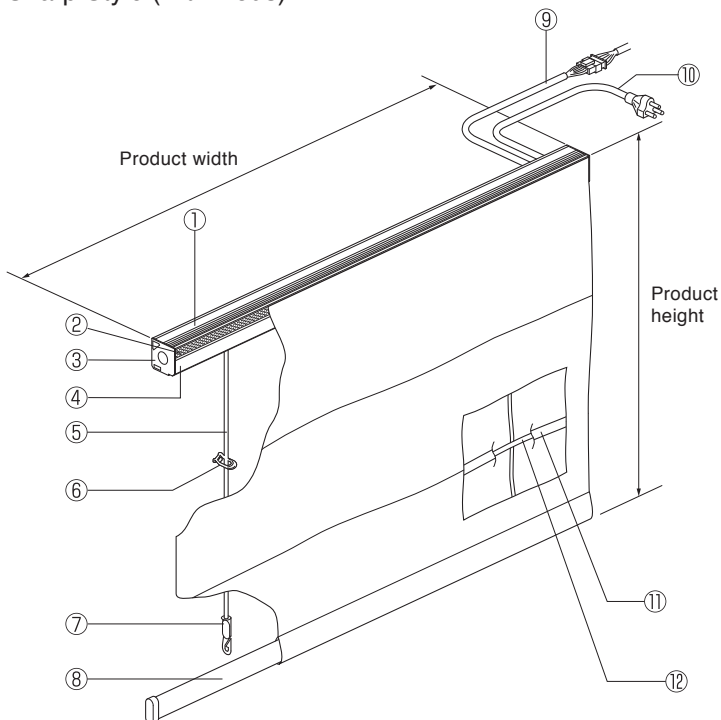
Structure Drawing

Plain Style



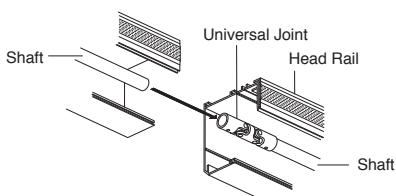
| No. | Product Name | Materials/Specifications | Color |
|-----|-----------------|---|--------|
| ① | Head Rail | Aluminum | White |
| ② | Slide-in Velcro | Chemical fiber | White |
| ③ | Side Cover | Molded resin | White |
| ④ | Head Rail Cover | Molded resin | White |
| ⑤ | Lift Tape | Chemical fiber | White |
| ⑥ | RS Tape Ring N | Molded resin | Clear |
| ⑦ | Loop Tape | Chemical fiber | Clear |
| ⑧ | Tape Adjuster | Molded resin | Clear |
| ⑨ | Weight Bar | Steel (4000 mm/158" or less) | White |
| | Weight Pole | Aluminum (4010 mm/158" or more) | Silver |
| ⑩ | Connecting Cord | AWG 24 × 6C (0.3 m/12") with connector | White |
| ⑪ | Power Supply | VCTF 0.75" × 3C (1 m/39") | White |

Sharp Style (with Rods)

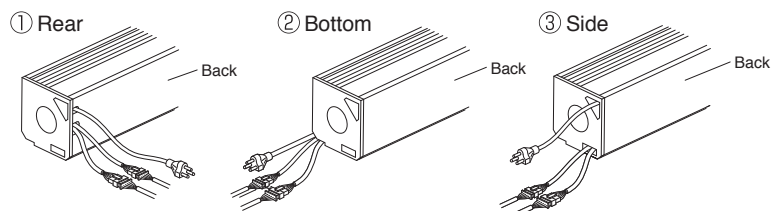


| No. | Product Name | Materials/Specifications | Color |
|-----|-----------------|---|---------------------------|
| ① | Head Rail | Aluminum | White |
| ② | Slide-in Velcro | Chemical fiber | White |
| ③ | Side Cover | Molded resin | White |
| ④ | Head Rail Cover | Molded resin | White |
| ⑤ | Lift Tape | Chemical fiber | White |
| ⑥ | Peacock Ring | Molded resin | Clear |
| ⑦ | Tape Adjuster | Molded resin | Clear |
| ⑧ | Weight Bar | Steel (4000 mm/158" or less) | White |
| | Weight Pole | Aluminum (4010 mm/158" or more) | Silver |
| ⑨ | Connecting Cord | AWG 24 × 6C (0.3 m/12") with connector | White |
| ⑩ | Power Supply | VCTF 0.75" × 3C (1 m/39") | White |
| ⑪ | Shaper Tape | Chemical fiber | White, Beige, Gray, Brown |
| ⑫ | Shaper 10 | Molded resin | White |

Universal Joint (for a large window)

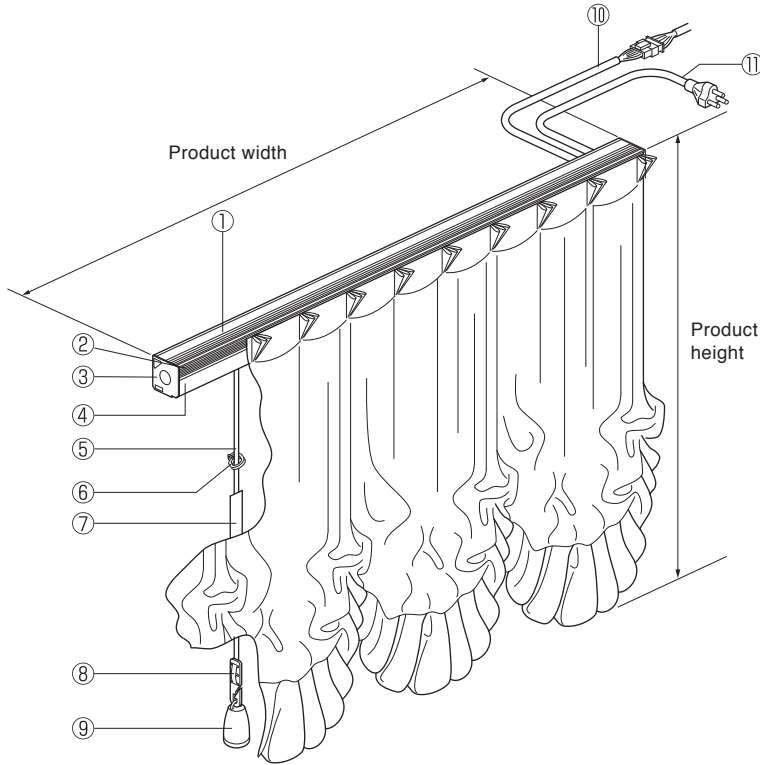


Position for the Switch Connection Cord (three type are available)



Super Liberta

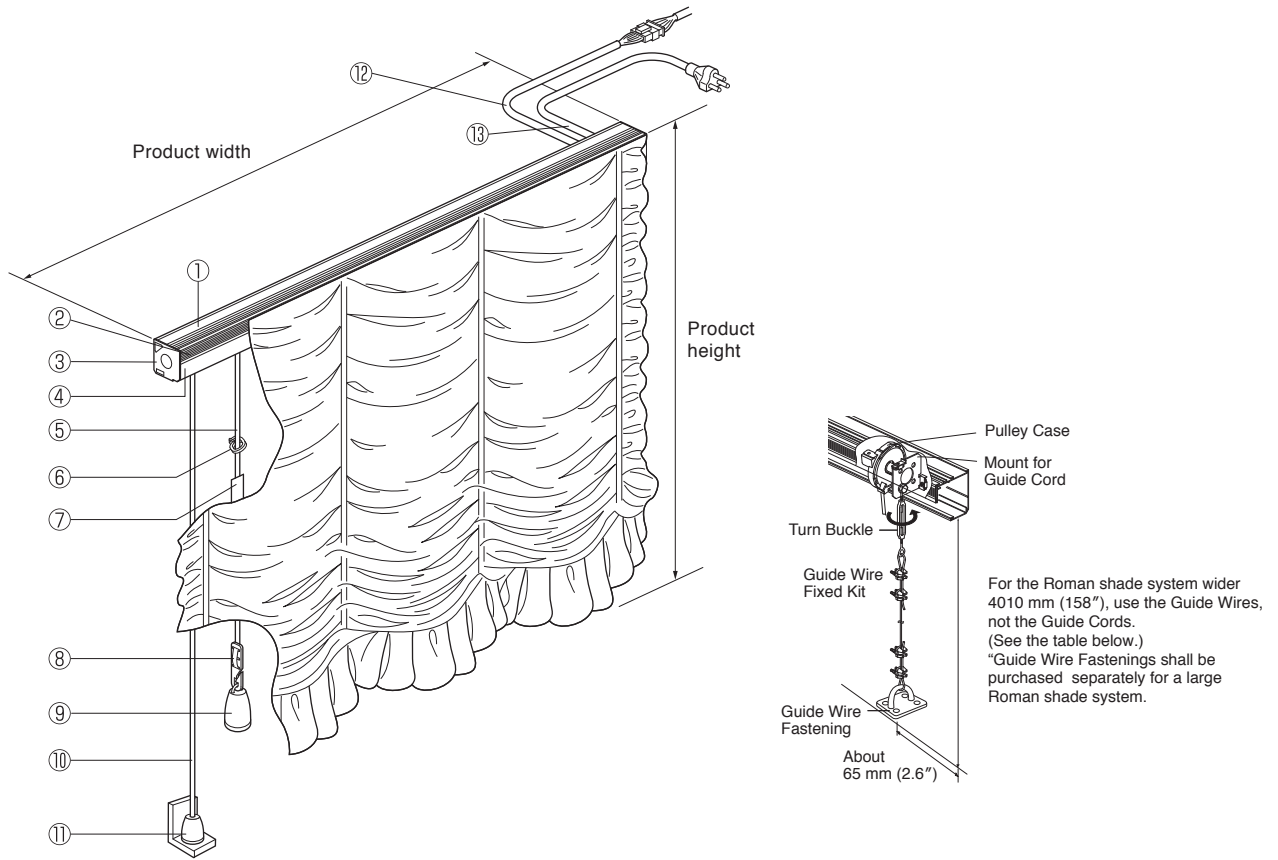
Balloon Style



| Product Length | Frill Length |
|-------------------------|---------------|
| 1000–2200 mm (39–87") | 120 mm (4.7") |
| 2210–3000 mm (87–118") | 160 mm (6.3") |
| 3010–6000 mm (119–236") | 200 mm (7.9") |

| No. | Product Name | Materials/Specifications | Color |
|-----|-----------------|--|-------|
| ① | Head Rail | Aluminum | White |
| ② | Slide-in Velcro | Chemical fiber | White |
| ③ | Side Cover | Molded resin | White |
| ④ | Head Rail Cover | Molded resin | White |
| ⑤ | Lift Tape | Chemical fiber | White |
| ⑥ | RS Tape Ring N | Molded resin | Clear |
| ⑦ | Loop Tape | Chemical fiber | Clear |
| ⑧ | Tape Adjuster | Molded resin | Clear |
| ⑨ | Weight | Lead | White |
| ⑩ | Connecting Cord | AWG 24 × 6C (0.3 m/12") with connector | White |
| ⑪ | Power Supply | VCTF 0.75 [□] × 3C (1 m/39") | White |

Austrian Style

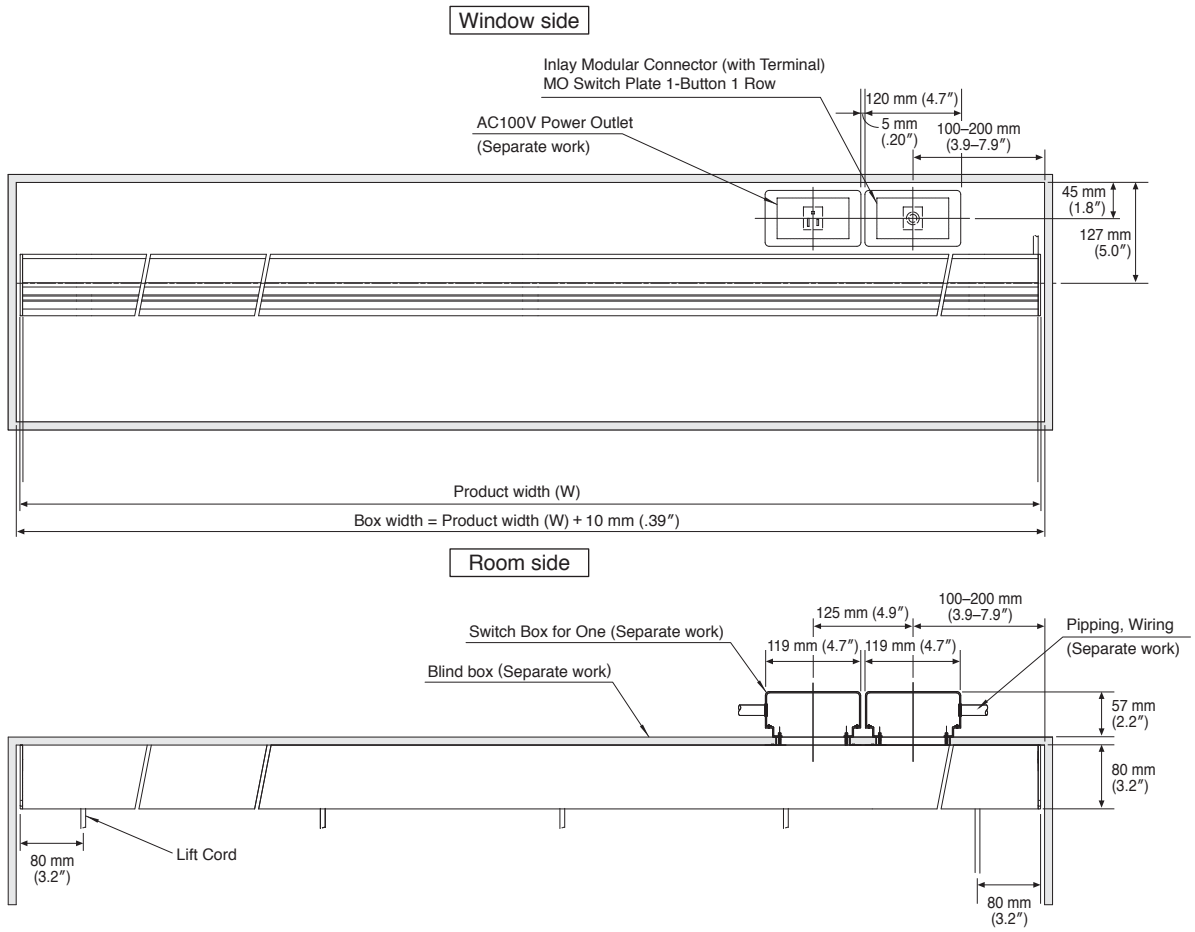


| Product Length | Frill Length |
|-------------------------|---------------|
| 1000–2200 mm (39–87") | 120 mm (4.7") |
| 2210–3000 mm (87–118") | 160 mm (6.3") |
| 3010–5000 mm (119–197") | 200 mm (7.9") |

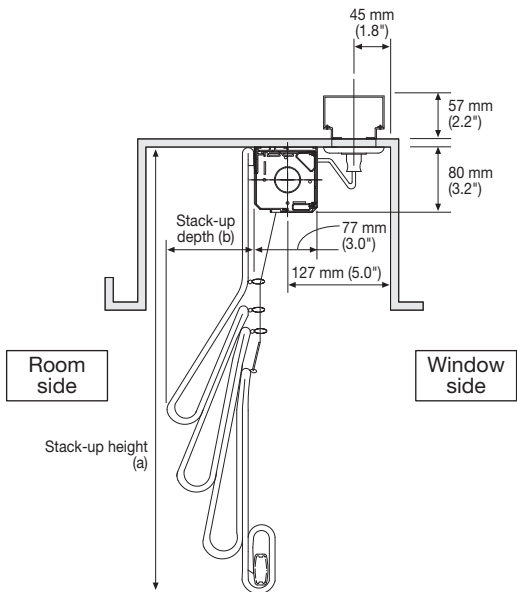
| No. | Product Name | Materials/Specifications | Color |
|-----|-----------------|---|--------|
| ① | Head Rail | Aluminum | White |
| ② | Slide-in Velcro | Chemical fiber | White |
| ③ | Side Cover | Molded resin | White |
| ④ | Head Rail Cover | Molded resin | White |
| ⑤ | Lift Tape | Chemical fiber | White |
| ⑥ | RS Tape Ring N | Molded resin | Clear |
| ⑦ | Loop Tape | Chemical fiber | Clear |
| ⑧ | Tape Adjuster | Molded resin | Clear |
| ⑨ | Weight | Lead | White |
| ⑩ | Guide Cord | Chemical fiber (W: 4000 mm/158" or less) | White |
| | Guide Wire | Stainless (W: 4010 mm/158" or more) | Silver |
| ⑪ | Install Kit | Stainless | Silver |
| ⑫ | Connecting Cord | AWG 24 × 6C (0.3 m/12") with connector | White |
| ⑬ | Power Supply | VCTF 0.75 [□] × 3C (1 m/39") | White |

Overall Structure Drawing

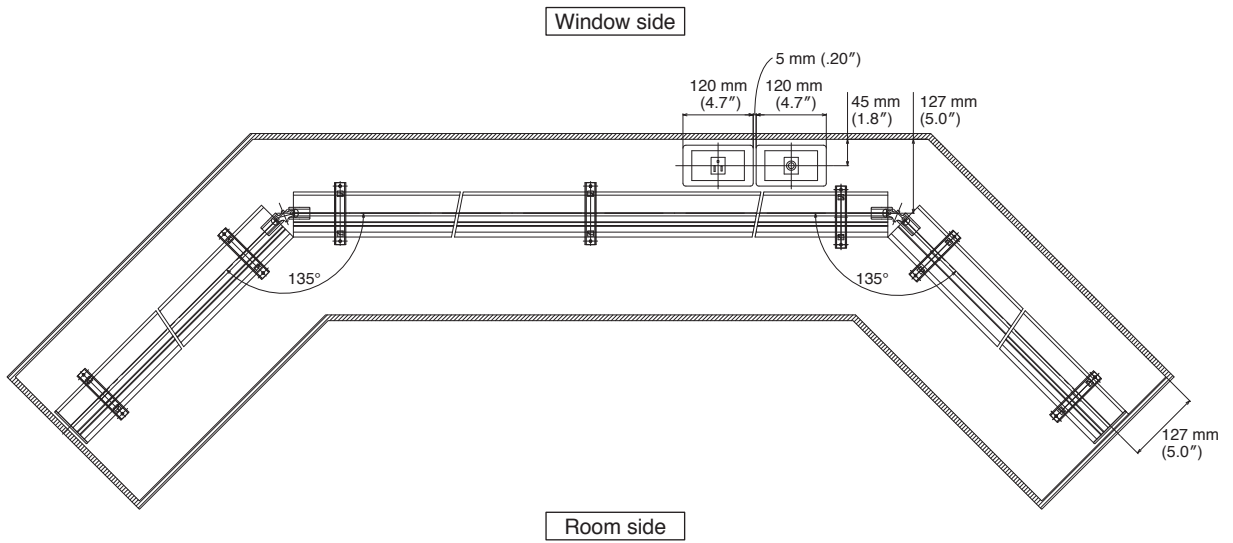
Front View



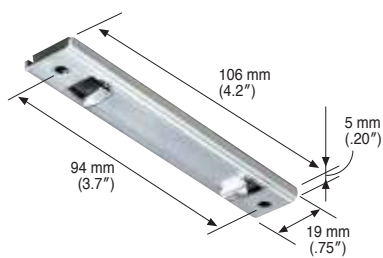
Side View



Two Curves

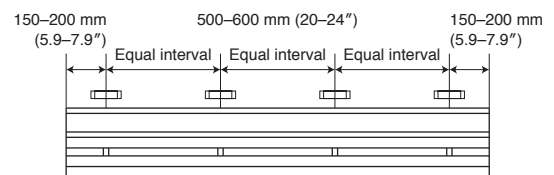


Bracket (Option)



Notes: Super Liberta products can be installed directly on ceilings.
Use brackets if necessary.

Installation of the Bracket

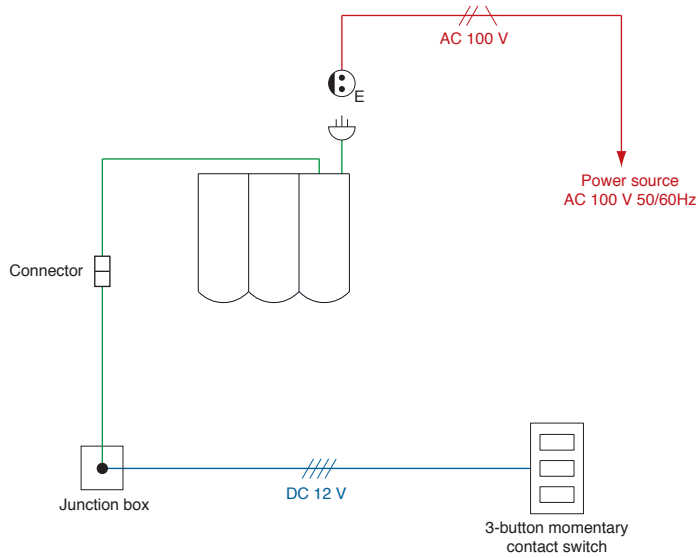


Install the brackets at a distance of between 150 and 200 mm (5.9 and 7.9") from both ends, and if there are three or more brackets, install them at equal intervals of between 500 and 600 mm (20 and 24").

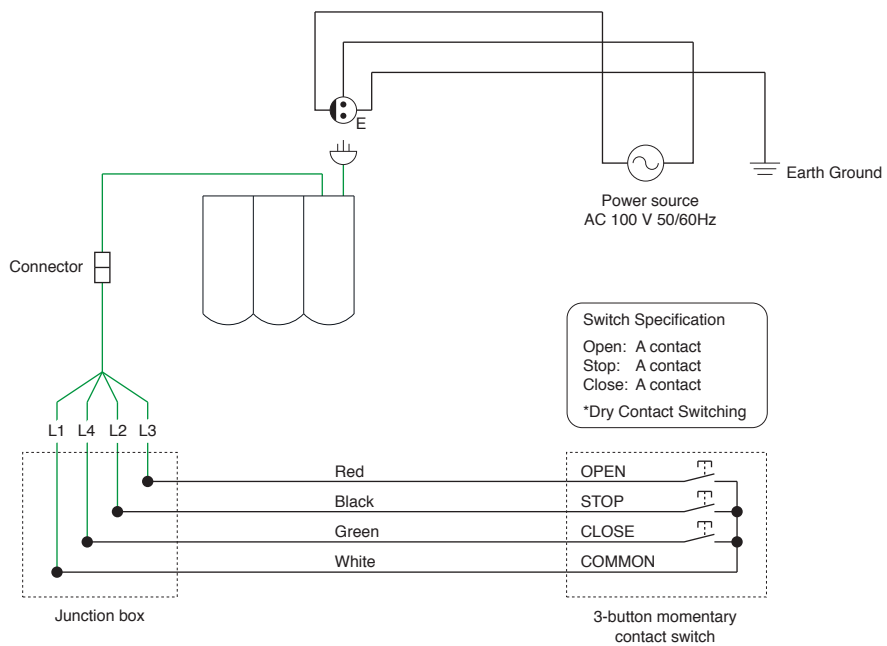
Basic Wiring and Connecting Diagram

Single Operation

Basic Wiring Diagram



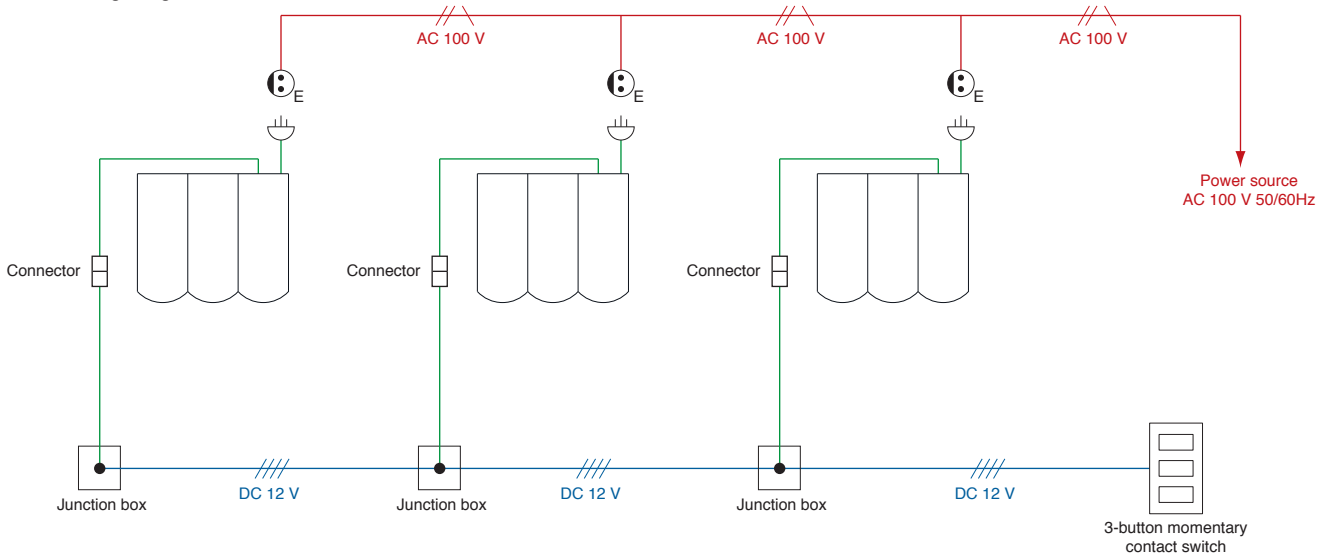
Basic Connecting Diagram



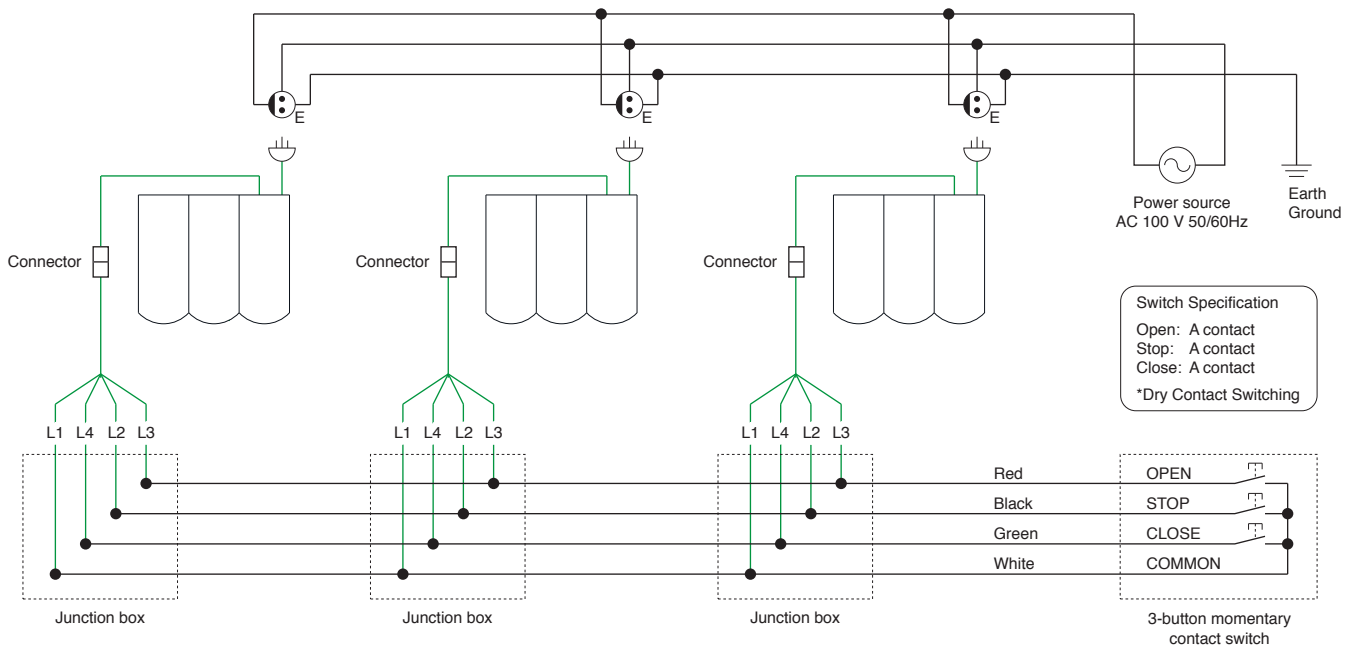
Explanatory notes: — Power supply, — Low voltage control line, — Main body attachment or TOSO standard

Simultaneous Operation

Basic Wiring Diagram



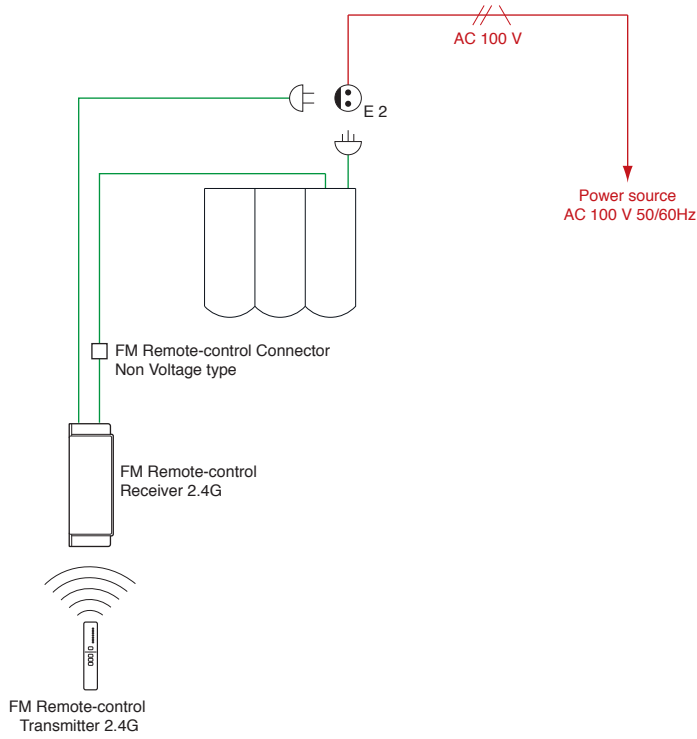
Basic Connecting Diagram



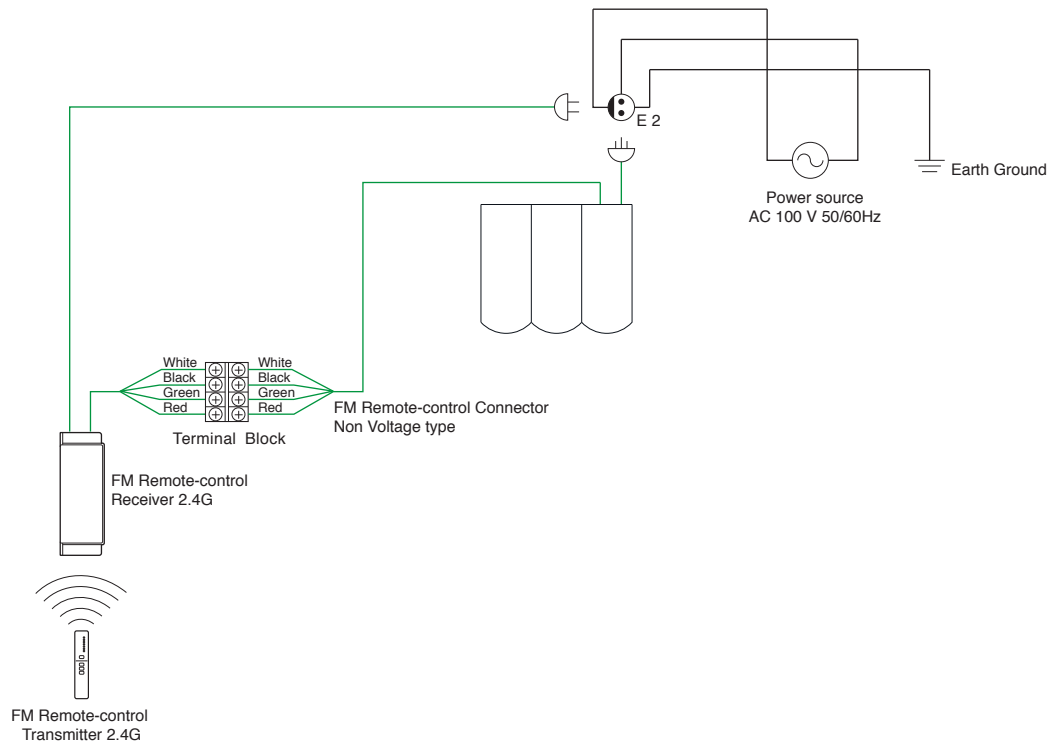
Explanatory notes: — Power supply, — Low voltage control line, — Main body attachment or TOSO standard

FM Remote-Control Receiver 2.4G

Basic Wiring Diagram



Basic Connecting Diagram



Explanatory notes: — Power supply, — Main body attachment or TOSO standard