

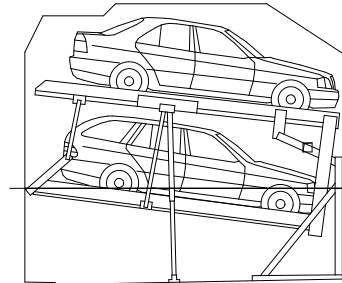
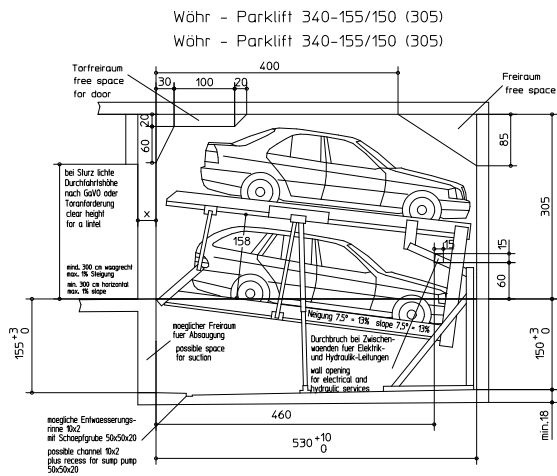
CAD Planungsdarstellungen / CAD files

WÖHR PARKLIFT 340



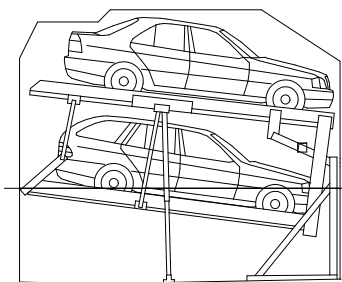
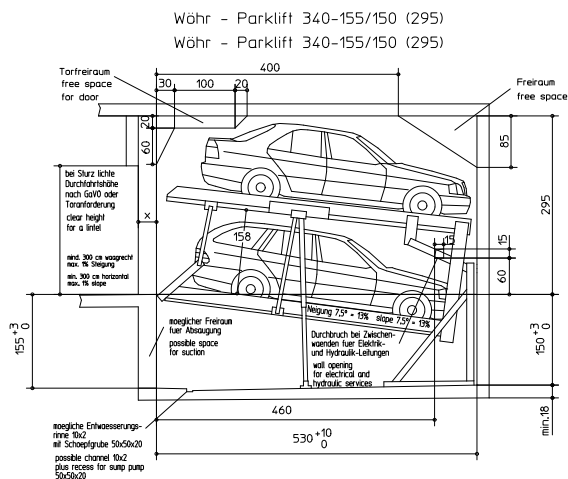
Dateiname / File name:
340-155-150-305

Dateiname / File name:
340-155-150-305-planning

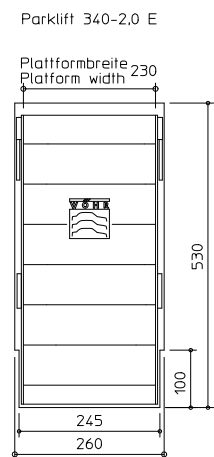


Dateiname / File name:
340-155-150-295

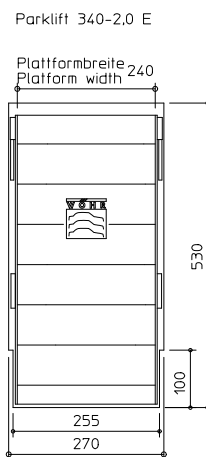
Dateiname / File name:
340-155-150-295-planning



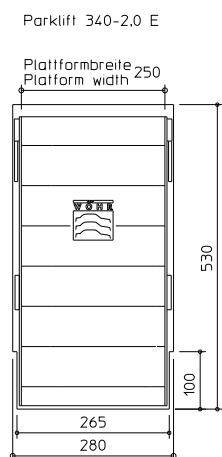
Dateiname / File name:
DS-340-E-230



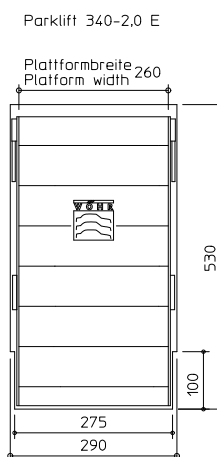
Dateiname / File name:
DS-340-E-240



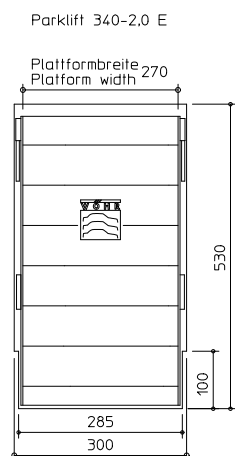
Dateiname / File name:
DS-340-E-250



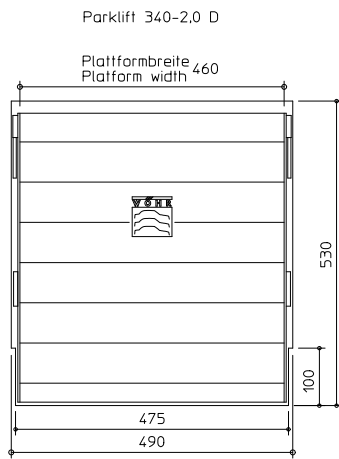
Dateiname / File name:
DS-340-E-260



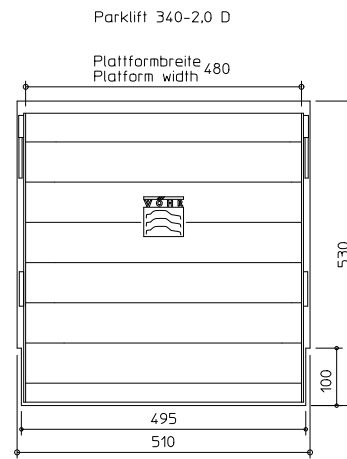
Dateiname / File name:
DS-340-E-270



Dateiname / File name:
DS-340-D-460



Dateiname / File name:
DS-340-D-480



Dateiname / File name:
DS-340-D-500

