

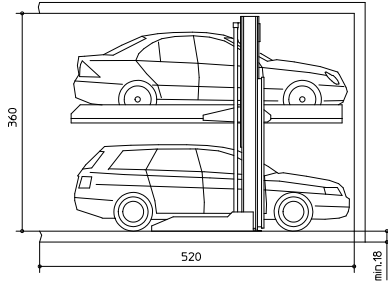
CAD Planungsdarstellungen / CAD files

WÖHR PARKLIFT 411-2,0



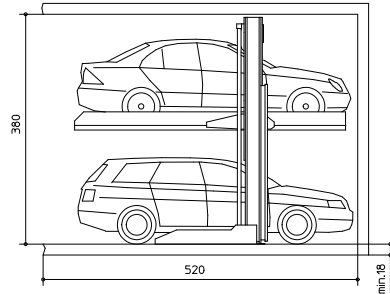
Dateiname / File name:
411-20-170_standard

Wöhr-Parklift 411-2,0-170 Standardtyp
Wöhr-Parklift 411-2,0-170 Standard type



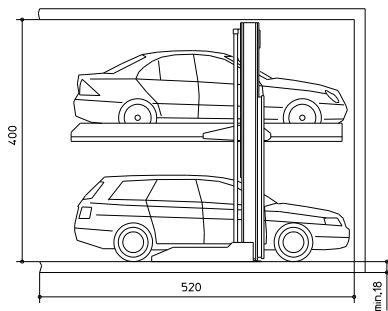
Dateiname / File name:
411-20-180_comfort

Wöhr-Parklift 411-2,0-180 Komforttyp
Wöhr-Parklift 411-2,0-180 Comfort type



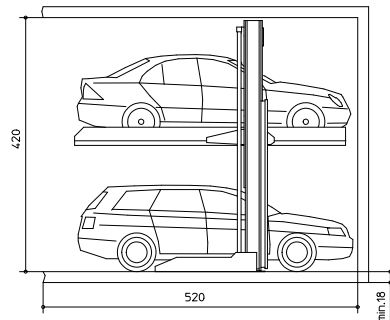
Dateiname / File name:
411-20-190_comfort

Wöhr-Parklift 411-2,0-190 Komforttyp
Wöhr-Parklift 411-2,0-190 Comfort type



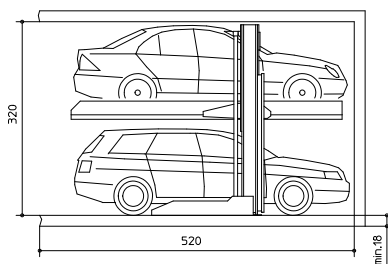
Dateiname / File name:
411-20-200_comfort

Wöhr-Parklift 411-2,0-200 Komforttyp
Wöhr-Parklift 411-2,0-200 Comfort type



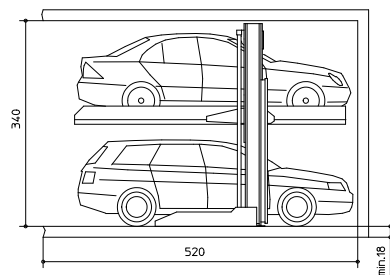
Dateiname / File name:
411-20-150-compact

Wöhr-Parklift 411-2,0-150 Kompaktyp
Wöhr-Parklift 411-2,0-150 Compact type



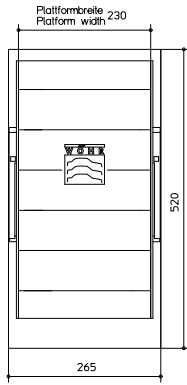
Dateiname / File name:
411-20-160-compact

Wöhr-Parklift 411-2,0-160 Kompaktyp
Wöhr-Parklift 411-2,0-160 Compact type



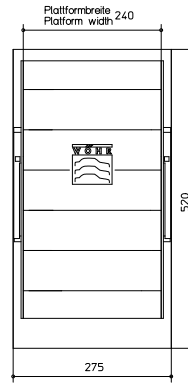
Dateiname / File name:
DS-411-20-E-230

Wöhr Parklift 411 2,0 - E 230



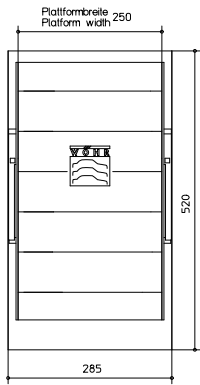
Dateiname / File name:
DS-411-20-E-240

Wöhr Parklift 411 2,0 - E 240



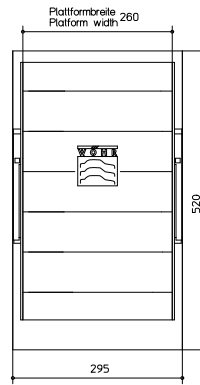
Dateiname / File name:
DS-411-20-E-250

Wöhr Parklift 411 2,0 - E 250



Dateiname / File name:
DS-411-20-E-260

Wöhr Parklift 411 2,0 - E 260



Dateiname / File name:
DS-411-20-E-270

Wöhr Parklift 411 2,0 - E 270

